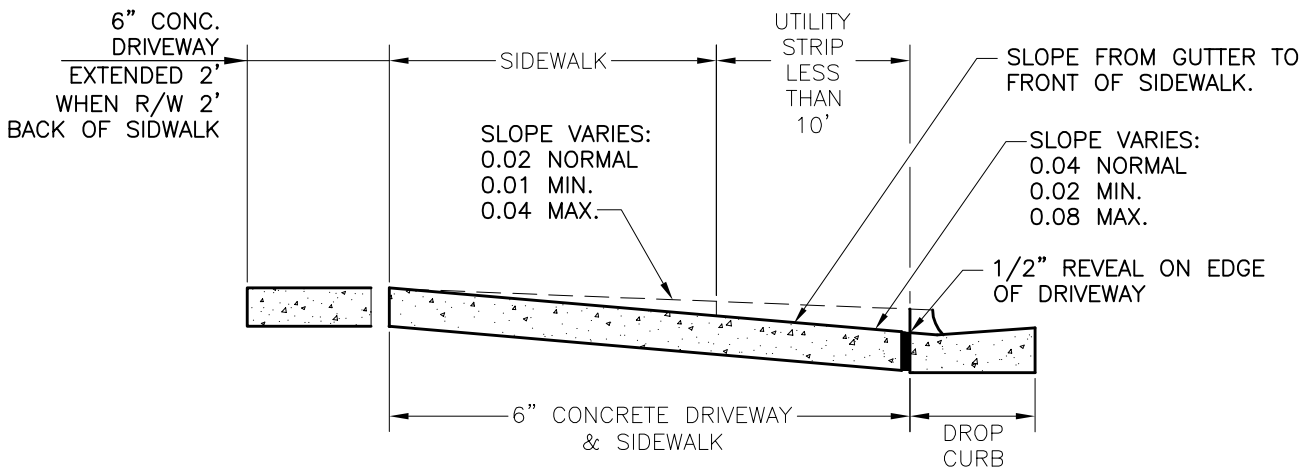


R/W LINE AT OR 2'
BACK OF SIDEWALK PLAN (30" MAX.)



SECTION BB

1. LIGHT BROOM FINISH.
2. CONCRETE SHALL BE 3,000 psi.
3. SLOPES CAN BE ADJUSTED WITHIN THE RANGES SHOWN TO IMPROVE TIES TO ADJACENT PROPERTY AND ARE TO BE TRANSITIONED TO AVOID DISTORTION IN SIDEWALK CONTINUITY AND MEET A.D.A. REQUIREMENTS

WHEN DISTANCE BETWEEN CURB & SIDEWALK
IS LESS THAN 10'

COMPLY WITH F.D.O.T. DESIGN STANDARDS OF JAN. 2004 INDEX # 515

REVISED: SEPT-2009	GENERAL CONSTRUCTION - CONCRETE DRIVEWAY APRONS	STANDARD DETAIL
ISSUED: SEPT - 2009	CITY OF WEST PALM BEACH ENGINEERING SERVICES DEPT.	GC-7