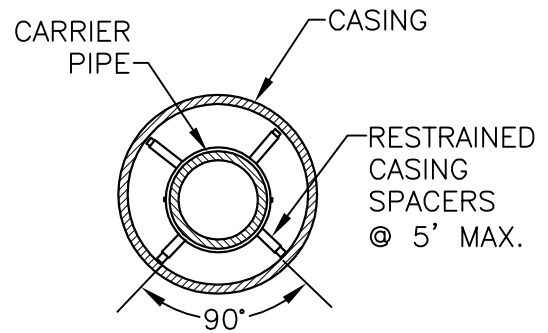


CARRIER PIPE SIZE	STEEL CASING	MIN. WALL THICKNESS	VENT PIPE SIZE
4"	12"	.188	2"
6"	14"	.250	2"
8"	16"	.250	2"
10"	18"	.250	2"
12"	20"	.250	3"
14"	24"	.250	3"
16"	24"	.250	3"
18"	30"	.250	4"
20"	30"	.250	4"
24"	36"	.250	4"
30"	42"	.312	4"
36"	48"	.375	4"
42"	60"	.500	4"
48"	72"	.500	4"



1. PIPE CASING SHALL BE IN ACCORDANCE WITH CURRENT ASTM SPECIFICATION A139 AND BE PROTECTED BY A BLACK BITUMASTIC COATING FOR PROTECTION AGAINST CORROSION.
2. EXCEPT AS NOTED, WALL THICKNESS SHALL BE AS NOTED IN TABLE ABOVE, EXCEPT THAT LATEST F.D.O.T. STANDARDS, OR RAILROAD STANDARDS SHALL APPLY TO THOSE INSTALLATIONS.
3. PIPE THROUGH CONFLICT STORM AND SANITARY STRUCTURES MUST USE THIS DETAIL. THE END OF THE CASING MUST EXTEND A MINIMUM OF 12" OUTSIDE OF THE STRUCTURE.
4. ENDS SHALL BE SEALED WITH APPROVED PRESSURE RESISTANT FITTINGS, NO GROUT.

REVISED: SEPT-2009	PRESSURE PIPE - PIPE CASING	STANDARD DETAIL
ISSUED: SEPT - 2009	CITY OF WEST PALM BEACH ENGINEERING SERVICES DEPT.	P-10