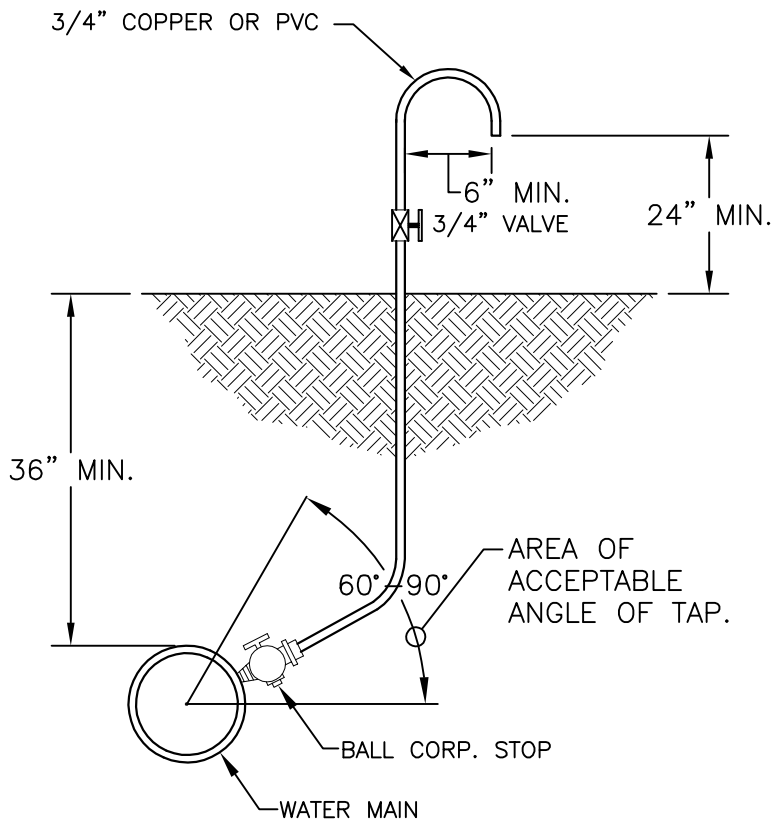


AFTER SATISFACTORY BACTERIOLOGICAL TESTING,
 REMOVE THE TUBING, CORPORATION AND PLUG THE
 MAIN WITH CORPORATION PLUGS.



REVISED:
 SEPT-2009

PRESSURE PIPE - SAMPLING POINT

STANDARD
 DETAIL

ISSUED:
 SEPT - 2009

CITY OF WEST PALM BEACH ENGINEERING SERVICES DEPT.

P-11