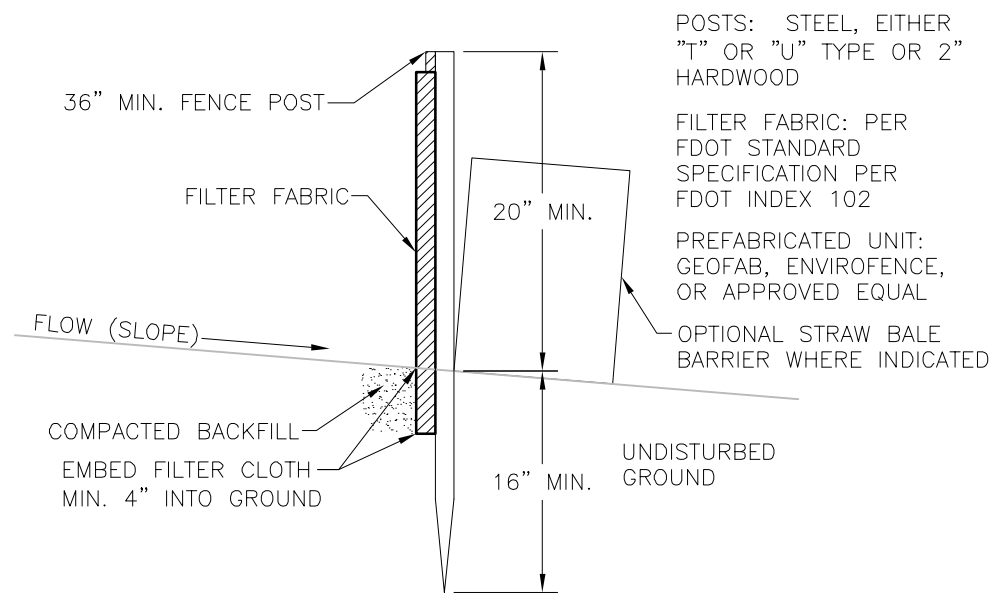


1. FILTER FABRIC FENCE TO BE FASTENED SECURELY TO FENCE POSTS WITH WIRE TIES OR STAPLES.
2. FILTER CLOTH TO BE FASTENED SECURELY TO POSTS WITH TIES SPACED EVERY 24 INCHES AT TOP AND MID-SECTION.
3. WHEN TWO SECTIONS OF FILTER CLOTH ADJOIN EACH OTHER THEY SHALL BE OVERLAPPED BY SIX INCHES AND FOLDED.
4. MAINTENANCE SHALL BE PERFORMED AS NEEDED AND MATERIAL REMOVED WHEN "BULGES" DEVELOP IN THE SILT FENCE OR DEPTH OF ACCUMULATED SEDIMENT REACHES 6 INCHES.
5. SILT FENCE SHALL BE INSTALLED PER MANUFACTURES SPECIFICATIONS PRIOR TO THE START OF CONSTRUCTION AND SHALL NOT BE REMOVED UNTIL CONSTRUCTION IS COMPLETE.
6. THE CONTRACTOR SHALL INSPECT AND REPAIR THE SILT FENCE AFTER EACH RAIN EVENT AND REMOVE SEDIMENT WHEN NECESSARY.
7. REMOVED SEDIMENT SHALL BE DEPOSITED IN AN AREA THAT WILL NOT CONTRIBUTE SEDIMENT OFFSITE AND CAN BE PERMANENTLY STABILIZED.
8. THE SILT FENCE SHALL BE PLACED ON SLOPE CONTOUR TO MAXIMIZE ITS PONDING EFFICIENCY.
9. IF DITCH LEVEL IS DEEPER THAN 30", THEN A FLOATING SILT SCREEN SHALL BE USED.



POSTS: STEEL, EITHER "T" OR "U" TYPE OR 2" HARDWOOD

FILTER FABRIC: PER FDOT STANDARD SPECIFICATION PER FDOT INDEX 102

PREFABRICATED UNIT: GEOFAB, ENVIROFENCE, OR APPROVED EQUAL

COMPLY WITH F.D.O.T. DESIGN STANDARDS OF JAN. 2004 INDEX # 102

REVISED: SEPT-2009	<b>POLLUTION CONTROL - TURBIDITY BARRIER INSTALLATION</b>	<b>STANDARD DETAIL</b>
ISSUED: SEPT - 2009	<b>CITY OF WEST PALM BEACH ENGINEERING SERVICES DEPT.</b>	<b>PC-4</b>