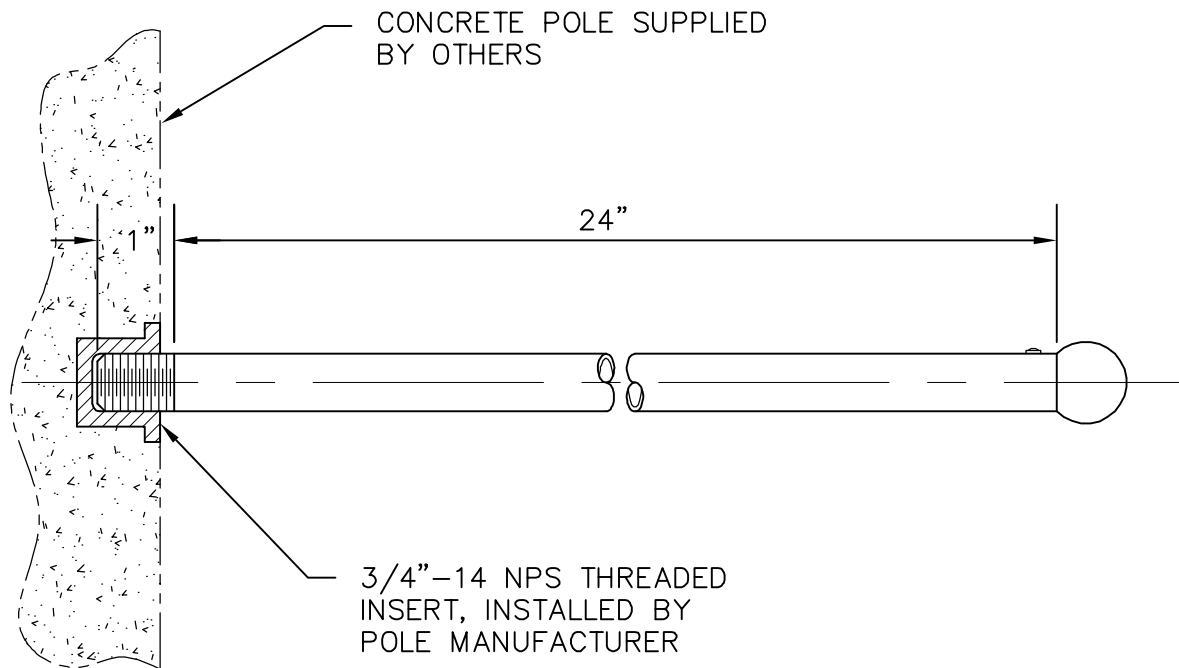


VERTEX ILLUMINATION OF AMERICA, INC (VIA)
OR AN APPROVED EQUIVALENT

BANNER ARM: ALUMINUM TUBING, 1-1/16"
OUTSIDE DIAMETER, MECHANICALLY
ASSEMBLED TO POLE.

FINISH: COLOR TO BE BLACK OR GREEN "GN8".
APPLICATION OF A POLYESTER POWDER COAT PAINT.



REVISED:
SEPT-2009

STREET LIGHTING - BANNER ARM

STANDARD
DETAIL

ISSUED:
SEPT - 2009

CITY OF WEST PALM BEACH ENGINEERING SERVICES DEPT.

SL-13