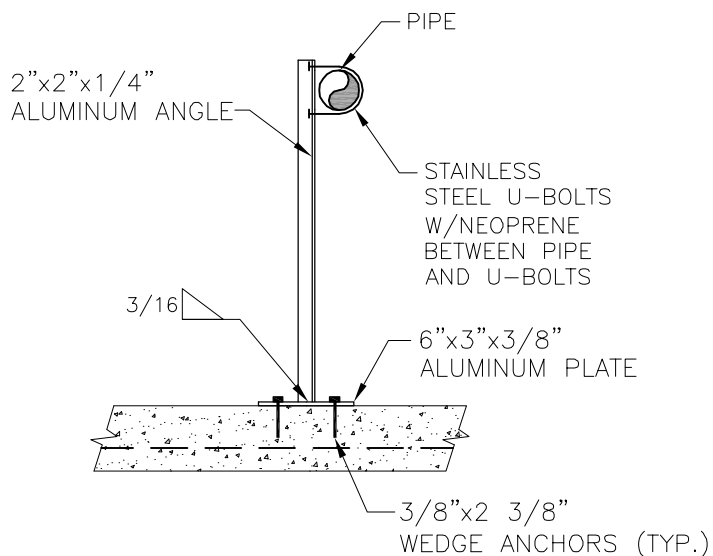


1. ALL PIPING SHALL BE BRASS OR TYPE "K" COPPER TUBING
2. ALL COPPER JOINTS SHALL BE MADE WITH 95% SOLDER.
3. USE 1" RPZ BACKFLOW PREVENTER AS LISTED IN THE APPROVED PRODUCT LIST.



PIPE SUPPORT DETAIL

SCALE: N.T.S.

REVISED: SEPT-2009	SUBMERSIBLE LIFT STATION - BACKFLOW FOR L.S. WATER SERVICE	STANDARD DETAIL
ISSUED: SEPT - 2009	CITY OF WEST PALM BEACH ENGINEERING SERVICES DEPT.	SLS-17